

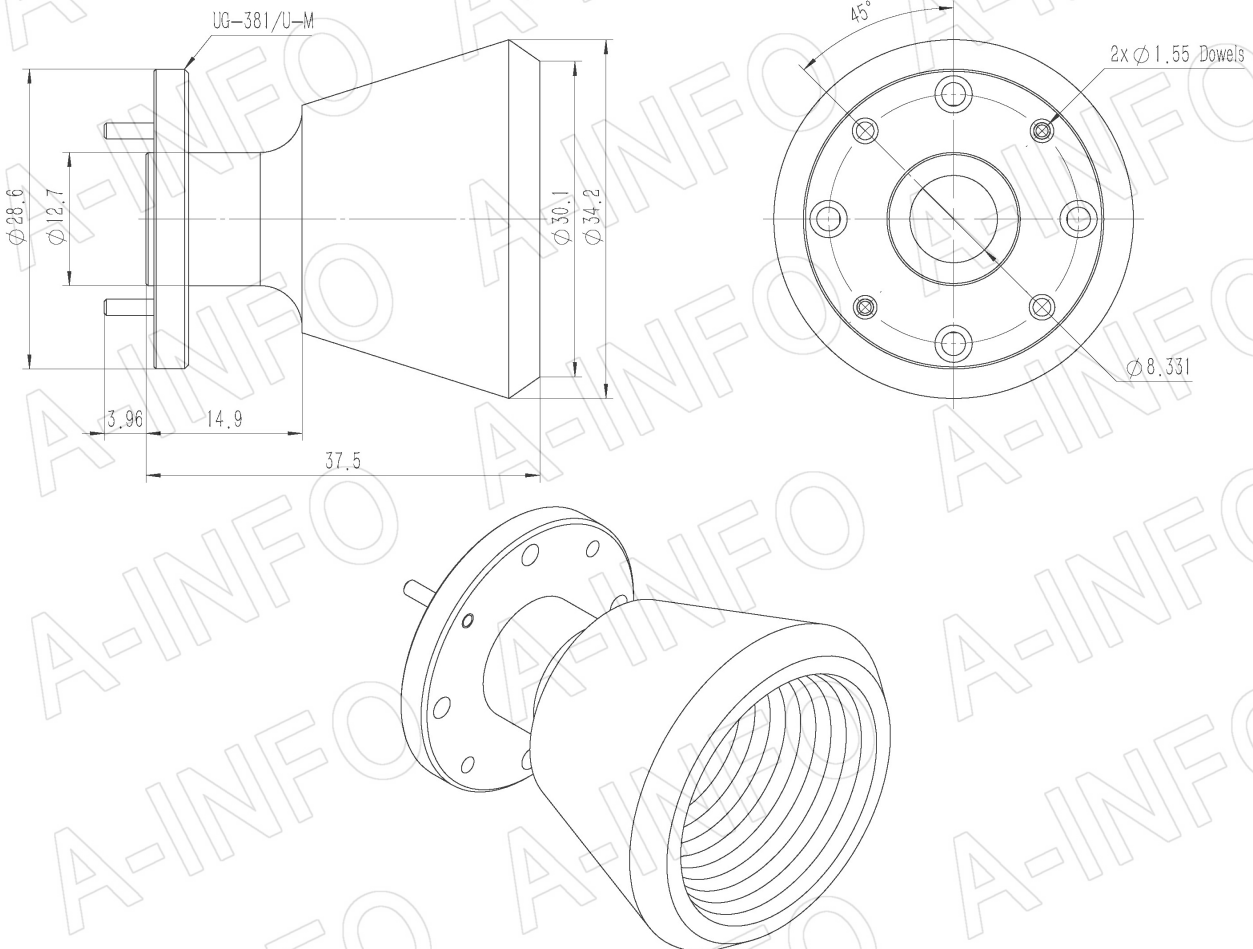
For reference only. See data sheet for the detailed specifications.

Technical Specification

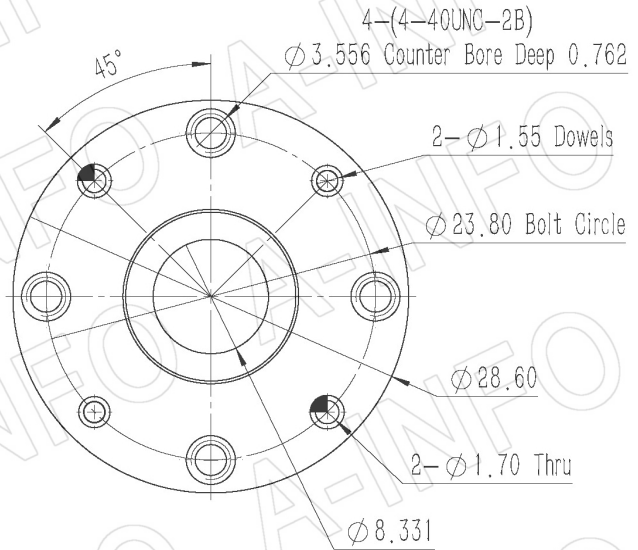
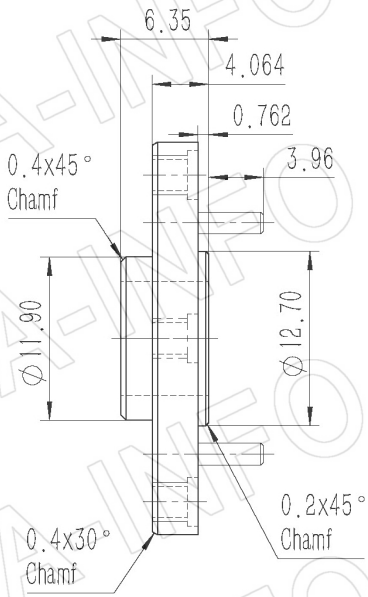


Frequency Range(GHz)	24.3 – 33.2
EIA WC	WC33
Circular WG Size	8.331mm / 0.33"
Gain(dBi)	15 Typ.
Polarization	Linear and Circular
3dB Beamwidth(deg)	E Plane: 32 Typ.
	H Plane: 29 Typ.
Cross Pol. Isolation(dB)	40 Typ.
VSWR	1.25:1 Typ.
Output	UG-381/U-M
Material	Cu
Finish	Gold Plated
Size(mm)	34.2 x 34.2 x 37.5
Net Weight(Kg)	0.07 Around

Outline Drawing (Size: mm)



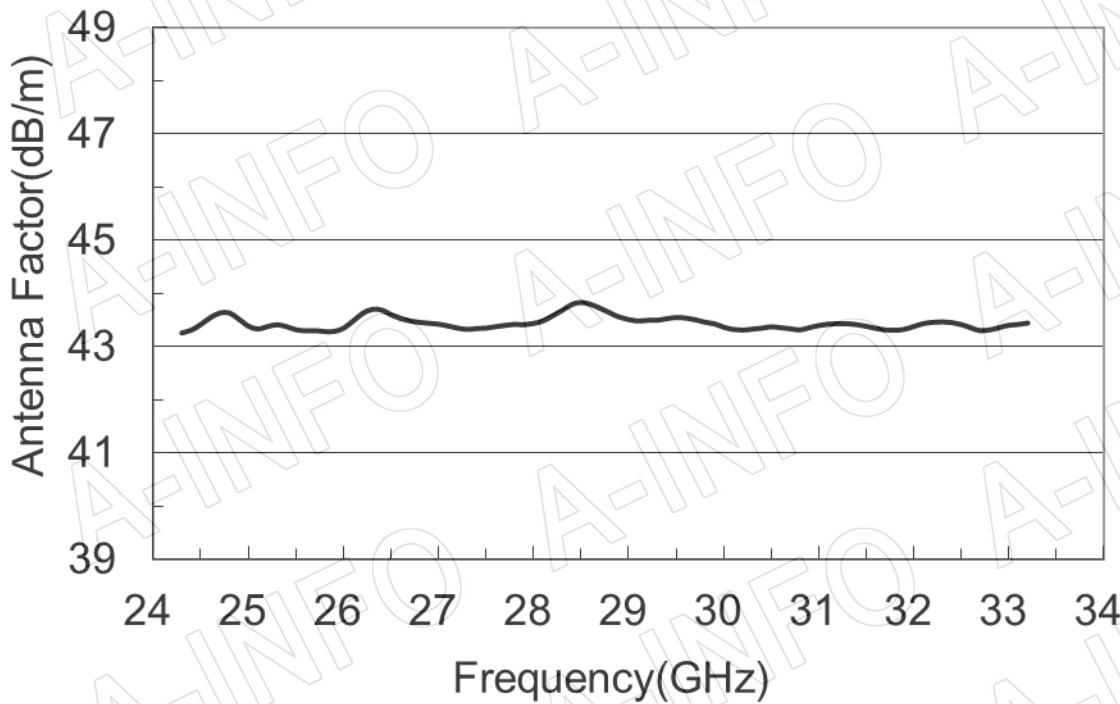
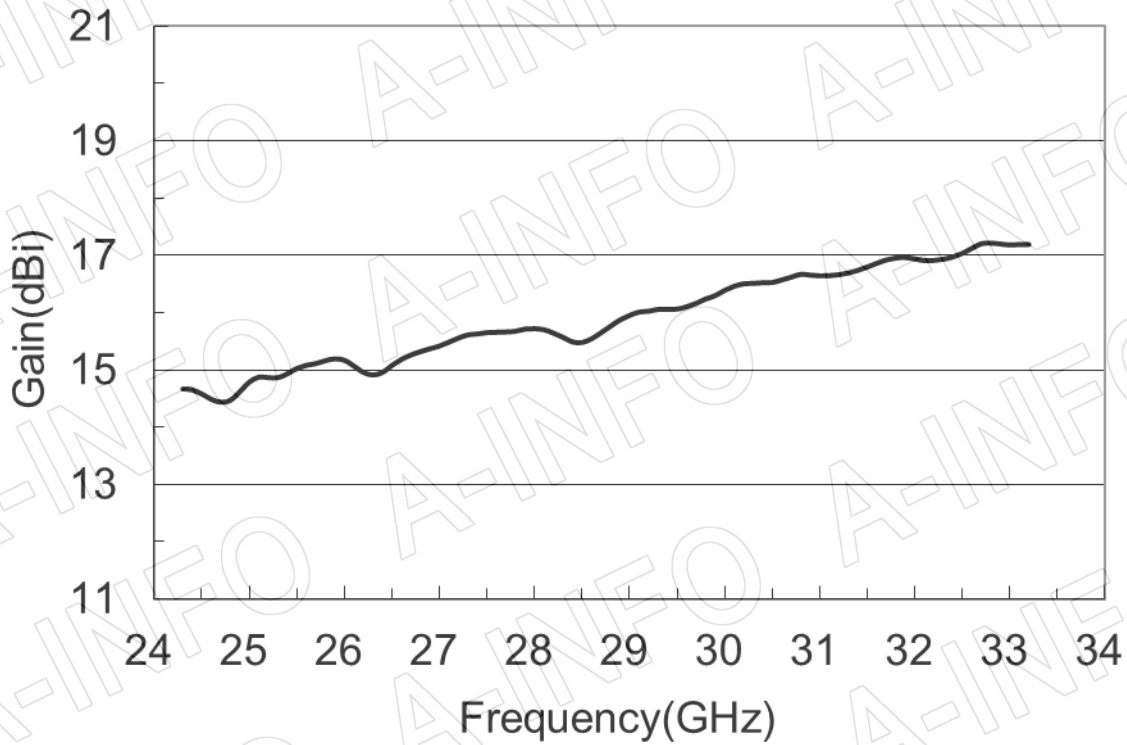
Flange Drawing (Size: mm)



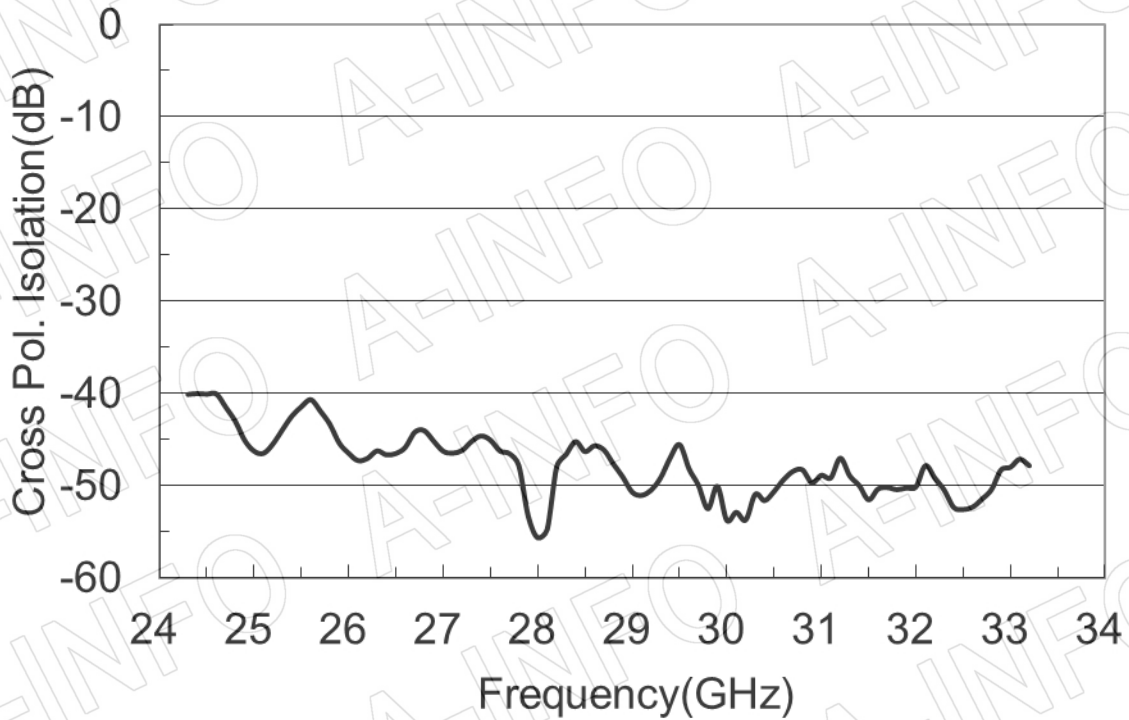
UG-381/U-M

Test Results (Including circular to rectangular transition)

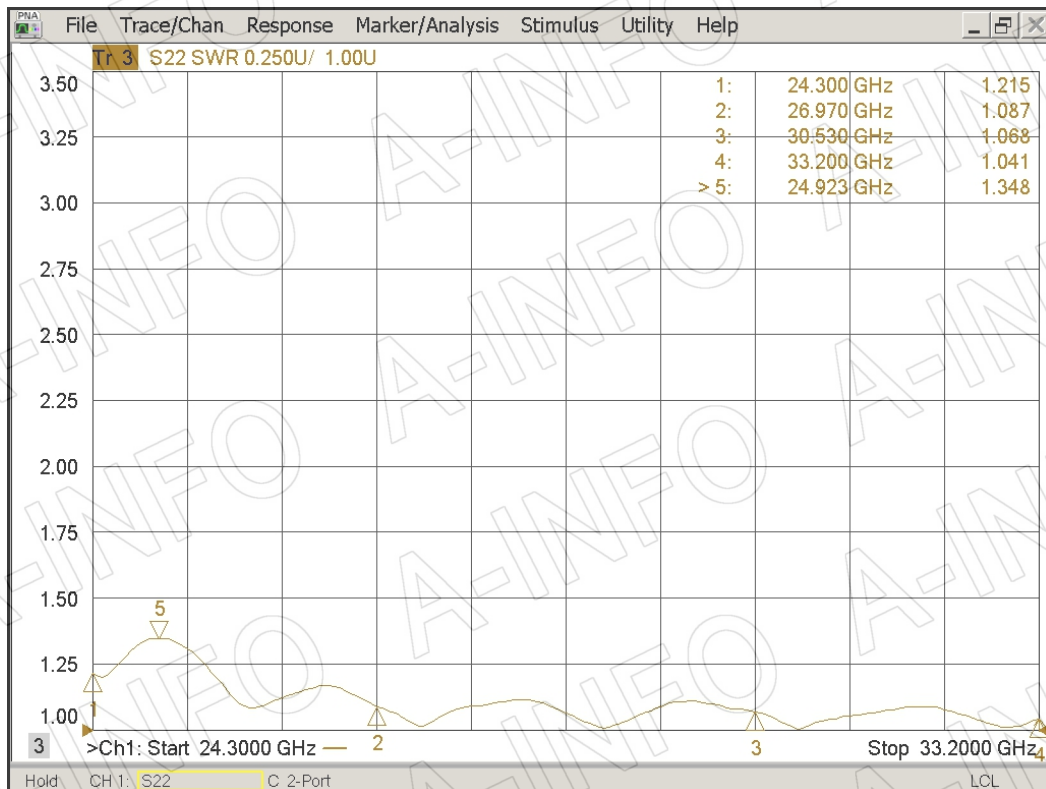
1. Gain & Antenna Factor



2. Cross Polarization Isolation



3. VSWR



4. Pattern

